

C30



MOBILE
BALANCING
MACHINE



**IDEAL
FOR MOBILE
SERVICE**

CEMB

C30

-  **Display digitale multifunzione**
Tutti i programmi per i professionisti: SPLIT, OPT, ALU
 -  Multifunctional digital panel
Software programs for the professionals: SPLIT, OPT, ALU
 -  Afficheur digital multifonctions
Tous les programmes utiles par le professionnel : SPLIT, OPT, ALU
 -  Digitaler Multifunktions-Display
Alle Programme für den Reifenfachhändler: SPLIT, OPT, ALU
 -  Pantalla digital multifuncional
Todos los programas útiles para el profesional: SPLIT, OPT, ALU
-
-  **Rilevamento automatico di distanza e diametro 2D**
 -  Automatic distance and diameter entry 2D
 -  Mesure automatique de la distance et du diamètre 2D
 -  2D Automatische Messung von Abstand und Durchmesser
 -  Distancia y diámetro automáticos 2D
-
-  **Equilibratrice a lancio manuale**
 -  Manual spin balancing machine
 -  Equilibreuse à lancement manuel
 -  Auswuchtmaschine mit Handantrieb
 -  Equilibradora de lanzamiento manual
-
-  **Progettata per minimizzare l'ingombro**
 -  Designed to be small in size
 -  Étudiée pour minimizer l'encombrement
 -  Entwickelt zum maximalen Platzersparnis
 -  Diseñada para el minimo estorbo
-
-  **Ruote per facilitare il trasporto**
 -  Wheels for easy portability
 -  Roues pour faciliter le déplacement
 -  Räder zur Erleichterung der Bewegungen
 -  Ruedas para facilitar el transporte
-
-  **Freno a pedale per facilitare il blocco/sblocco della ruota e la collocazione dei pesi**
 -  Foot pedal brake for easy wheel locking/unlocking and weight placement
 -  Fein à pédale pour faciliter le blocage/déblocage de la roue et l'application des contrepoids
 -  Pedalbremse zur erleichterten Radblockierung und Gewichteanbringen
 -  Freno a pedal para facilitar bloque y desbloqueo de la rueda y la colocación del los pesos



The new mobile balancing machine C30 features excellent technical specifications, like automatic distance and diameter 2D and foot pedal brake.

Thanks to the unique size, weight and dual power supply, it represents the ideal solution for mobile operators or those garages where space is at a premium.



- IDEALE PER IL SERVIZIO MOBILE**
Grazie a dimensioni e peso ridotti, alla ruote ed alla doppia alimentazione 12 VDC - 230 VAC
- IDEAL FOR MOBILE SERVICE**
Thanks to the limited dimensions and weight, to the wheels and to the double power supply 12 VDC - 230 VAC.
- IDEAL POUR LE SERVICE MOBILE**
Grâce à l'encombrement et au poids limités, aux roues et à la double alimentation 12 VDC - 230 VAC
- BESONDERS GEEIGNET FÜR DEN MOBILEN REIFENDIENST**
Dank den reduzierten Abmessungen, geringem Gewicht und der Doppelstromversorgung 12V - 230V
- IDEAL PARA EL SERVICIO MÓVIL**
Gracias a las dimensiones y al peso limitados, a las ruedas y a la doble tensión 12VDC - 110 VAC.



STANDARD ACCESSORIES

UC20/2 GLM40 - 41FF83150



Manual locking

Dotazione standard: 3 coni Ø45 ÷ 110 mm, ghiera rapida GLM40, calibro larghezza, pinza-martello e contrappeso da 60 g.

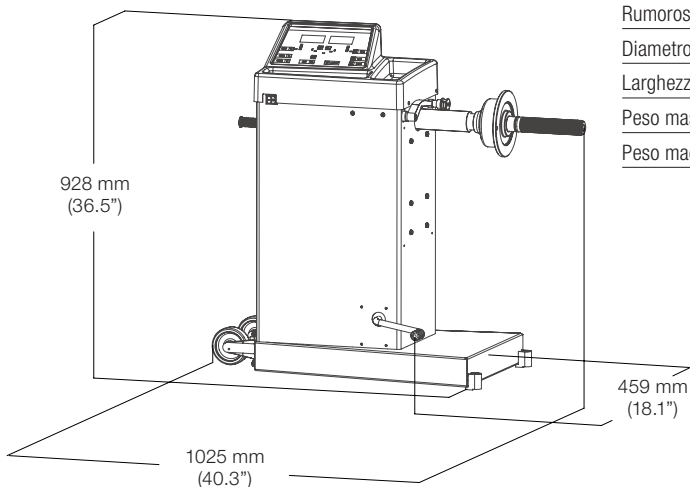
Standard equipment: 3 cones Ø 45÷110 mm, quick locknut GLM40, width gauge, pincer-hammer and 60 g counterweight.

Dotation standard: 3 cônes Ø 45÷110 mm, 1 collier de serrage rapide GLM40, calibre largeur, pince-marteau et contrepoinds 60 g.

Standard-Lieferausstattung: 3 Konen Ø 45÷110 mm, Schnellspanning GLM40, Breitenmesslehre, Hammer-Zange und Mustergewicht 60 g.

Equipamiento estándar compuesto por: 3 conos de Ø 45÷110 mm, manguito de cierre rápido GLM40, calibre, pinza-martillo y contrapeso de 60 g.





Alimentazione monofase	Single phase power supply	230V 50/60 Hz AC - 12V DC
Velocità di equilibratura	Balancing speed	100 rpm
Tempo di ciclo (15 kg/33lbs)	Measuring cycle for 15 kg (33lb) wheel	4.7 s
Incertezza di misura	Measurement uncertainty	0,5 g (0.02 oz)
Rumorosità media	Average noise	< 70 dB (A)
Diametro cerchio impostabile	Rim width setting range	40 ÷ 510 mm 1.5" ÷ 20"
Larghezza cerchio impostabile	Rim diameter setting range	265 ÷ 765 mm 10" ÷ 30"
Peso massimo della ruota	Max. wheel weight	< 75 Kg (165 lbs)
Peso macchina	Machine weight	68 Kg (150 lbs)

Alimentation monophasée
Vitesse d'équilibrage
Temps de cycle (15 kg/33lbs)
Incertitude de mesure
Bruit moyen
Diamètre jante à régler
Largeur jante à régler
Poids max. de la roue
Poids machine

Stromversorgung einphasig
Leistungsaufnahme
Messzeit (15 kg/33lbs)
Messunsicherheit
Mittlerer Geräuschpegel
Einstellbarer Felgendurchmesser
Einstellbare Felgenbreite
Max. Radgewicht
Maschinengewicht

Alimentación monofásica	230V 50/60 Hz AC - 12V DC
Velocidad de equilibrado	100 rpm
Tiempo de ciclo para rueda de 15 kg	4.7 s
Posible desviación en la medición	0,5 g (0.02 oz)
Sonoridad media	< 70 dB (A)
Ancho seleccionable de la llanta	40 ÷ 510 mm 1.5" ÷ 20"
Diámetro seleccionable	265 ÷ 765 mm 10" ÷ 30"
Peso máximo de la rueda	< 75 Kg (165 lbs)
Peso de la máquina	68 Kg (150 lbs)

OPTIONAL ACCESSORIES

RL cup - 41FF79255

MT cone - 40FF57321

UH20/2 - 41FF42048

SR4 - SR5 - SR5/2 - SRUSA

RMC20 MAN/2 - 41FF48071

VL/2 cone + G36 disc - 41FF86174

Per ulteriori dettagli sui singoli accessori Vi preghiamo di consultare il catalogo specifico ADAPTORS.

For any further information on each accessory please refer to the specific ADAPTORS catalogue.

Pour plus de détails pour chaque accessoire, veuillez consulter le spécifique catalogue ADAPTORS.

Detallierte Informationen zu den einzelnen Zubehörteilen finden Sie in unserem Katalog ADAPTORS.

Para obtener más información, consulte el folleto completo ADAPTORS.



CEMB S.p.A.
Via Risorgimento, 9
23826 Mandello del Lario (LC) Italy
www.cemb.com

 **Garage equipment division**
CEMB - ITALY
Plant and Training Center
phone +39 0341 706369
fax +39 0341 700725
garage@cemb.com

CEMB USA - BL Systems Inc.
2873 Ramsey Road
Gainesville, GA 30501 - USA
Phone +001 678 717 1050
Fax +001 678 717 1056
sales@cemb-usa.com

All the data and features mentioned in this catalogue are purely for information and do not constitute any commitment on the part of our company, which reserves the right to make any and all alterations it may consider suitable without notice.